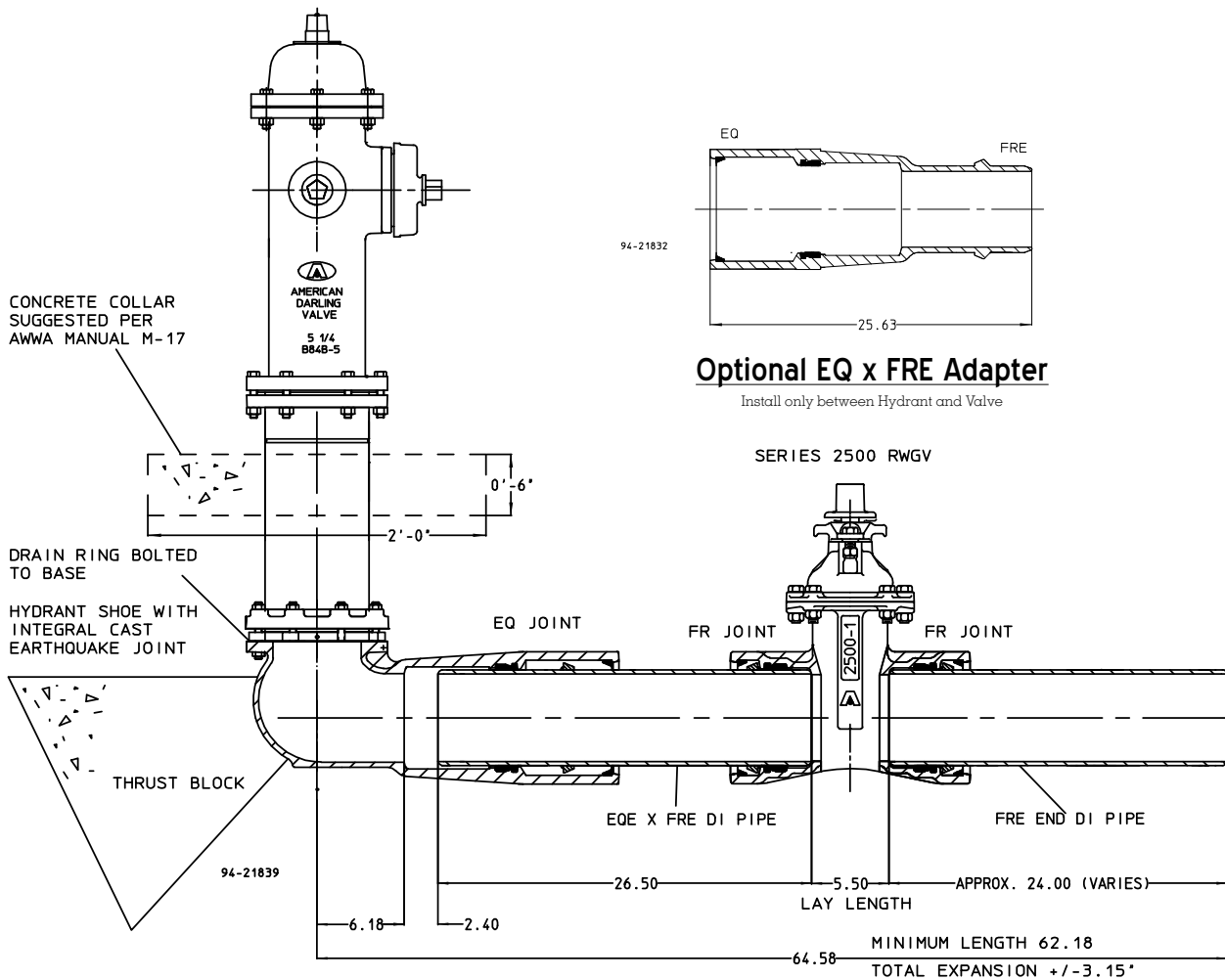


AMERICAN Flow Control Submittal Information

5-1/4 AMERICAN-DARLING® B-84-B-5 FIRE HYDRANT WITH INTEGRAL CAST EARTHQUAKE JOINT SYSTEM



Standard Earthquake Joint Configuration

NOTES:

1. Allowable joint deflection as follows:
 Earthquake joint (EQ) - 3 degrees per joint; +/- 2.4" longitudinal extension
 Flex-ring joint (FR) - 5 degrees per joint ; +/- 3/8" longitudinal extension
 (3/4" joint pull out per joint)



AMERICAN

FLOW CONTROL

THE RIGHT WAY

AMERICAN Flow Control
 P.O. Box 2727
 Birmingham, Al. 35202-2727
 Phone: 800-326-8051
 Fax: 800-610-3569
 Email: afcsales@american-usa.com

Waterous Company
 125 Hardman Avenue South
 South St. Paul, Mn. 55075-1191
 Phone: 888-266-3686
 Fax: 800-601-2809
 Email: afcsales@american-usa.com

WWW.AMERICAN-USA.COM