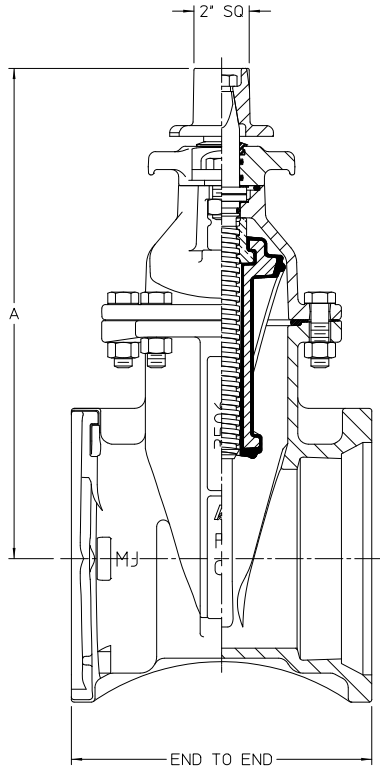
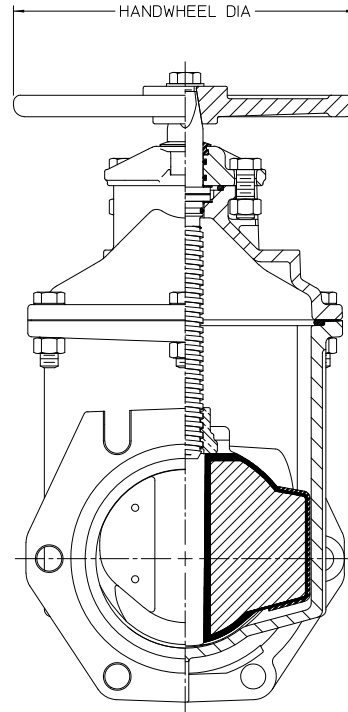


AMERICAN Flow Control Submittal Information

4" - 12" SERIES 3500 RESILIENT WEDGE GATE VALVE, NRS

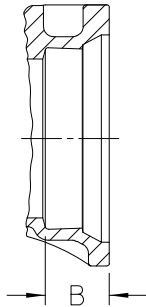


SHOWN WITH 2" OPERATING NUT

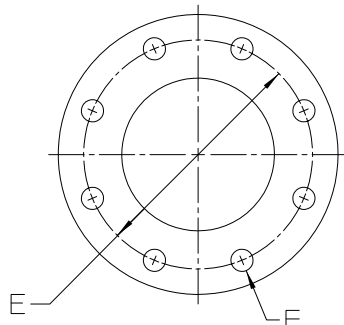
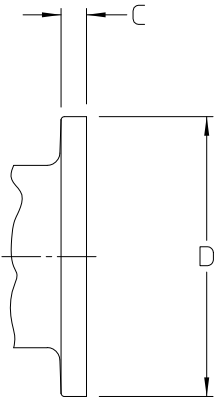


SHOWN WITH OPTIONAL HANDWHEEL

IL4170



MECHANICAL JOINT (MJ)



CLASS 125 FLANGE (FL)

OPTIONAL END CONNECTIONS

DIMENSION	VALVE SIZE				
	4"	6"	8"	10"	12"
End to End - MJ/MJ	10.00	10.50	11.50	12.50	13.50
End to End - FL/FL	9.00	10.50	11.50	13.00	14.00
End to End - FL/MJ	9.50	10.50	12.38	13.62	14.38
A	13.91	17.12	20.47	24.06	27.59
B	2.50	2.50	2.50	2.50	2.50
C	.94±.12	1.00±.12	1.12±.12	1.19±.12	1.25±.12
D DIA	9.00	11.00	13.50	16.00	19.00
E DIA	7.50	9.50	11.75	14.25	17.00
F DIA	.75	.88	.88	1.00	1.00
Handwheel Diameter	10.00	12.00	14.00	16.00	16.00
No. of Turns to Open	14	20	26	32	38



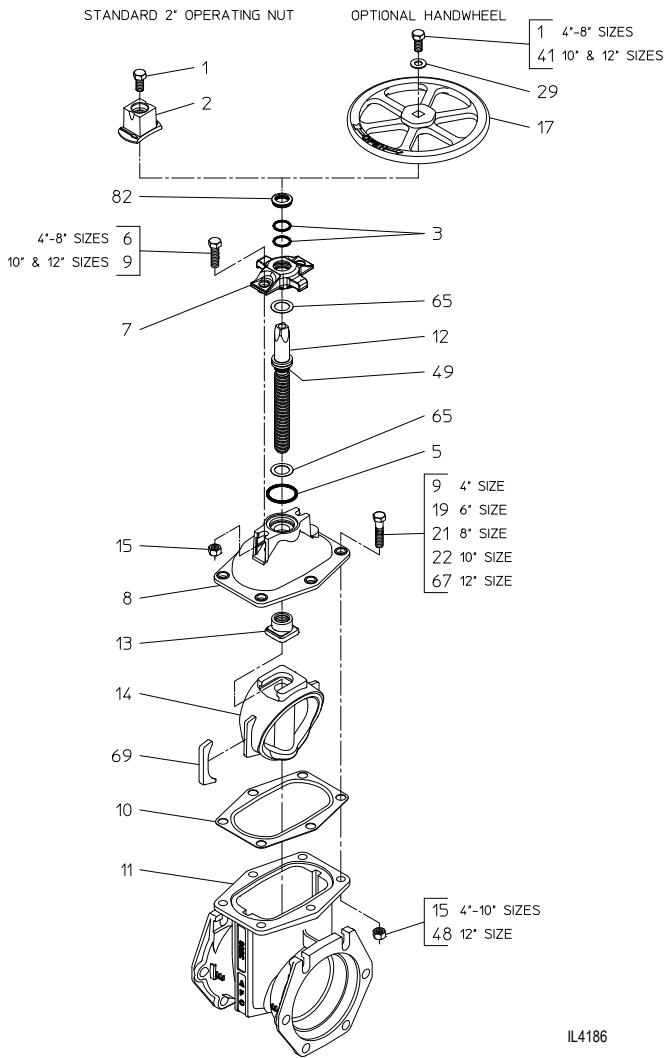
AMERICAN
FLOW CONTROL

THE RIGHT WAY

AMERICAN Flow Control
P.O. Box 2727
Birmingham, Al. 35202-2727
Phone: 1-800-326-8051
Fax: 1-800-610-3569
E-mail: afcsales@american-usa.com

Waterous Company
125 Hardman Avenue South
South St. Paul, Mn. 55075-1191
Phone: 1-888-266-3686
Fax: 1-800-601-2809
E-mail: afcsales@american-usa.com

WWW.AMERICAN-USA.COM



Construction shown is typical of the 6-inch size with mechanical joint end connections and is illustrative only. Construction of other sizes and end connection types vary slightly.

REF NO.	DESCRIPTION	MATERIAL
1	Hex Head Bolt, 5/8-11 x 1"	304 Stainless Steel
2	Operating Nut, 2" Square	Ductile Iron, ASTM A536
3	O-Ring	Rubber
5	Stuffing Box Gasket	Rubber O-ring
6	Hex Head Bolt, 5/8-11 x 1-3/4"	304 Stainless Steel
7	Stuffing Box	Ductile Iron, ASTM A536
8	Bonnet	Ductile Iron, ASTM A536
9	Hex Head Bolt, 5/8-11 x 2"	304 Stainless Steel
10	Bonnet Gasket	Rubber
11	Body	Ductile Iron, ASTM A536
12	Stem	Manganese Bronze, ASTM B763, UNS C86700
13	Wedge Nut	Manganese Bronze, ASTM B763, UNS C86700
14	Resilient Wedge	EPDM Rubber Encapsulated Ductile Iron, ASTM A536
15	Hex Nut, 5/8-11	304 Stainless Steel
17	Handwheel	Ductile Iron, ASTM A536
19	Hex Head Bolt, 5/8-11 x 2-1/4"	304 Stainless Steel
21	Hex Head Bolt, 5/8-11 x 2-1/2"	304 Stainless Steel
22	Hex Head Bolt, 5/8-11 x 2-3/4"	304 Stainless Steel
29	Flat Washer, 5/8	304 Stainless Steel
41	Hex Head Bolt, 5/8-11 x 1-1/2"	304 Stainless Steel
48	Hex Nut, 3/4-10	304 Stainless Steel
49	O-Ring	Rubber
65	Thrust Washer	304 Stainless Steel
67	Hex Head Bolt, 3/4-10 x 3"	304 Stainless Steel
69	Wedge Cover	Acetal Polymer
82	Debris Seal	Rubber

OPTIONAL MATERIALS ARE AS FOLLOWS

BOLTS and NUTS: 316 Stainless Steel

STEM: Cast NDZ-S Bronze, ASTM B763, UNS C99500

STEM: Stainless Steel

WEDGE NUT: Silicon Bronze, ASTM B584, UNS C87600

Open Direction: Left (C.C.W.) Right (C.W.)

NOTES:

1. Available in configurations that are UL Listed and FM Approved with 350 psig rated working pressure.
2. Meets requirements of ANSI/AWWA C515 with 350 psig rated working pressure.
3. Fusion-bonded epoxy-coated in accordance with ANSI/AWWA C550.
4. Certified to NSF-61-372.
5. Flanged end dimensions are per ASME B16.1, Class 125, and ANSI/AWWA C110/A21.10.
6. Flange thickness tolerances shown are per ANSI/AWWA C110/A21.10.
7. Mechanical joint dimensions are per ANSI/AWWA C111/A21.11.



AMERICAN
FLOW CONTROL

THE RIGHT WAY

AMERICAN Flow Control
P.O. Box 2727
Birmingham, Al. 35202-2727
Phone: 1-800-326-8051
Fax: 1-800-610-3569
E-mail: afcsales@american-usa.com

Waterous Company
125 Hardman Avenue South
South St. Paul, Mn. 55075-1191
Phone: 1-888-266-3686
Fax: 1-800-601-2809
E-mail: afcsales@american-usa.com

WWW.AMERICAN-USA.COM