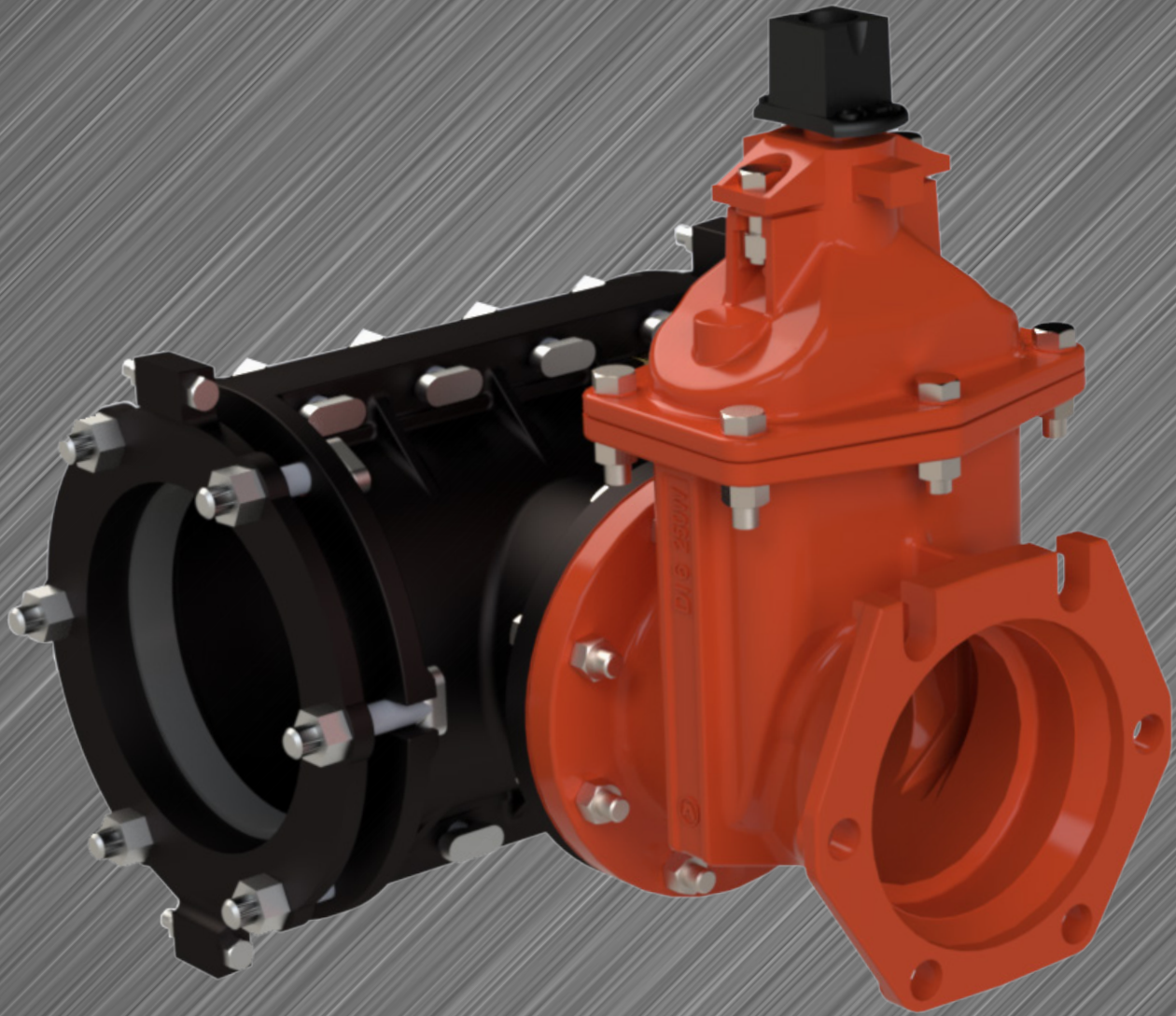


**SERIES 2500 TAPPING VALVES &
SERIES 2800 TAPPING SLEEVES
BY AMERICAN FLOW CONTROL®**



AMERICAN®
FLOW CONTROL
THE RIGHT WAY

FEATURES

AMERICAN provides tapping valves for sizes 4"- 48" rated at 250 psig pressure.

Tapping valves 4"- 48" are furnished with an alignment ring on the end flange which fits into a recess on the AMERICAN Flow Control manufactured tapping sleeve. This fit helps assure proper alignment between the sleeve and valve, which permits passage of the cutter during the tapping procedure.

SAMPLE SPECIFICATION

Tapping valves shall be resilient wedge type with bodies and bonnets made of ductile iron for 250 psig working pressure.

The alignment ring dimensions of the tapping valve flange conform to MSS SP 60 to help ensure true alignment of the valve with the tapping sleeve. The outlet end of the valve shall be the mechanical joint type.

All tapping valves shall include a minimum 3/8" NPT pipe plug on the bonnet of the valve body to aid in the field testing of the valve.

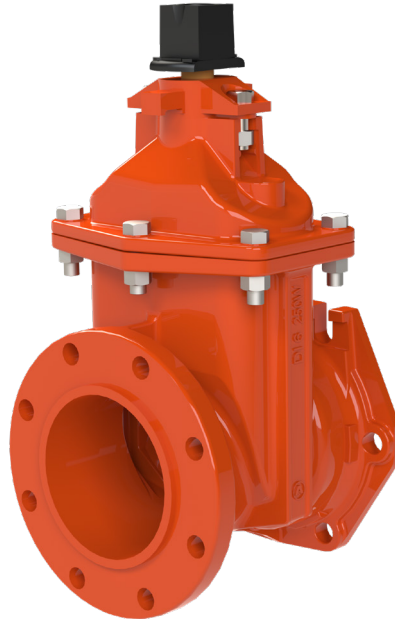
The Series 2500 is constructed of ductile iron and rated at 250 psig. The Series 2500 4"- 48" will accept full-size shell cutters.

All wedges shall be made from ductile iron and be fully encapsulated with EPDM rubber.

All wedges shall be provided with guide covers.

All interior and exterior ferrous surfaces shall be protected against corrosion by fusion-bonded epoxy coating. The coating shall be applied prior to assembly to assure coverage of all exposed areas, including bolt holes.

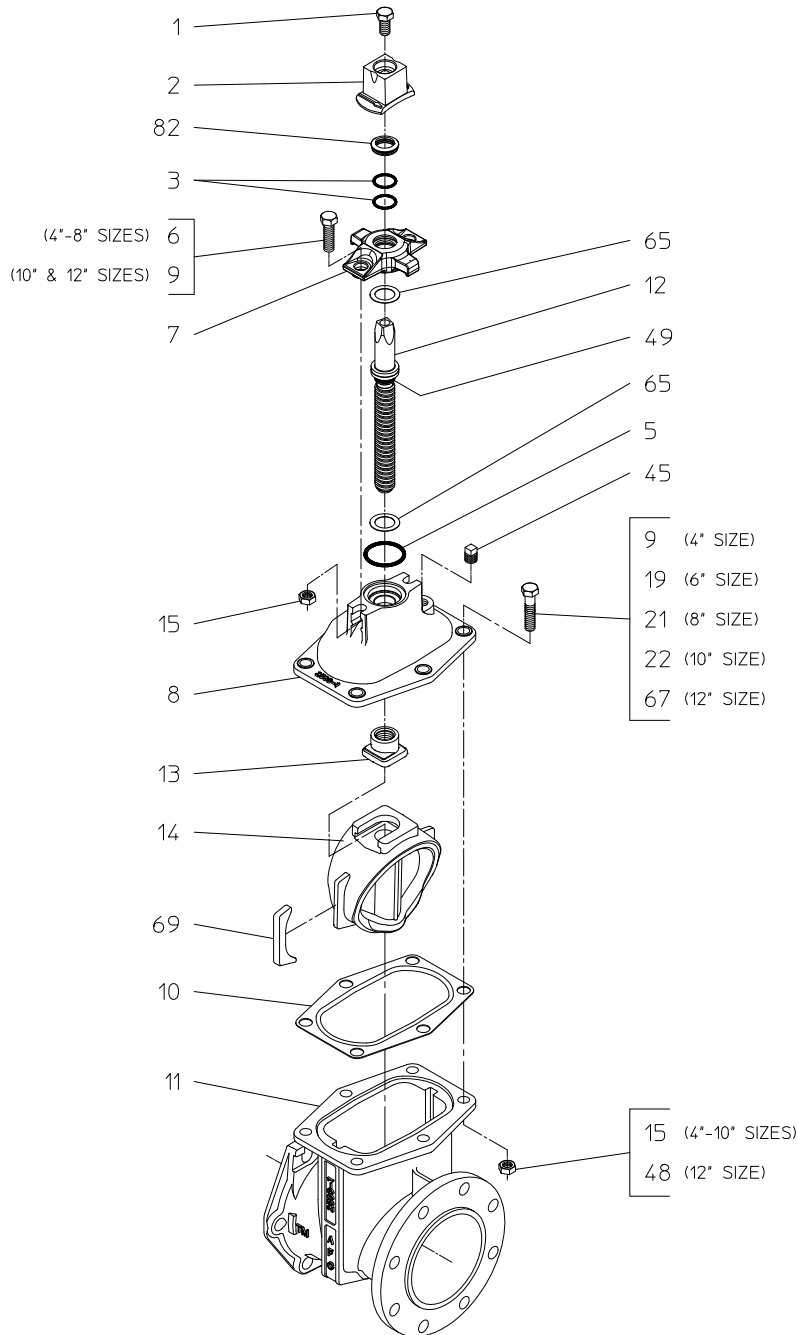
Tapping valves shall be AMERICAN 4"- 48" Series 2500 Ductile Iron with a 250 psig rating (accepts full-size shell cutter).



Notes:

1. 4"- 48" valves meet or exceed requirements of ANSI/AWWA C515.
2. 4"- 48" valves have 250 psig ANSI/AWWA rated working pressure.
3. 4"- 24" may be ordered in configurations that are UL Listed and FM Approved up to 250 psig rated working pressure.
4. Fusion-bonded epoxy coating meets or exceeds requirements of ANSI/AWWA C550.
5. Mechanical joint ends are in accordance with ANSI/AWWA C111/A21.11 and MSS SP-113.
6. Bolt patterns of Class 125 flanged ends are in accordance with ANSI/AWWA C110/A21.10 (ASME B16.1 Class 125).
7. Raised pilot dimensions of flanged ends on tapping valves are in accordance with MSS SP-60.
8. Tapping valves are supplied with flanged-end hardware, including bolts, nuts, ring-type gasket and flange protection kit. The flange-end bolting is furnished in the same material as specified for the valve body bolting.
9. 4"- 48" valves are Certified to NSF/ANSI/CAN 61 and NSF/ANSI/CAN 372.

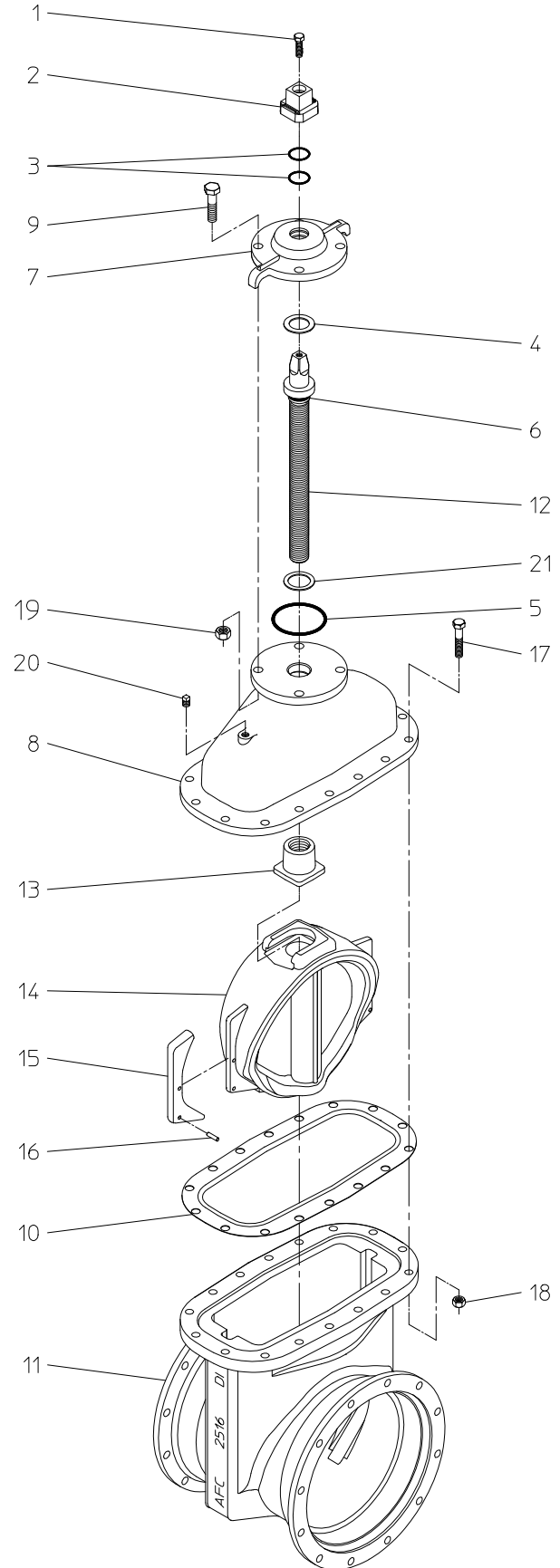
STANDARD 4"- 12" 2500 NRS PARTS LIST



REF NO.	DESCRIPTION	MATERIAL
1	Hex Head Bolt, 5/8-11 x 1"	Stainless Steel
2	Operating Nut, 2" Square	Ductile Iron
3	O-ring	Rubber
5	Stuffing Box Gasket	Rubber O-ring
6	Hex Head Bolt, 5/8-11 x 1-3/4"	Stainless Steel
7	Stuffing Box	Ductile Iron
8	Bonnet	Ductile Iron
9	Hex Head Bolt, 5/8-11 x 2"	Stainless Steel
10	Bonnet Gasket	Rubber
11	Body	Ductile Iron
12	Stem	Bronze
13	Wedge Nut	Bronze
14	Resilient Wedge	Ductile Iron, Encapsulated with EPDM Rubber
15	Hex Nut, 5/8-11	Stainless Steel
19	Hex Head Bolt, 5/8-11 x 2-1/4"	Stainless Steel
21	Hex Head Bolt, 5/8-13 x 2-1/2"	Stainless Steel
22	Hex Head Bolt, 5/8-13 x 2-3/4"	Stainless Steel
45	Square Head Pipe Plug, 3/8" NPT	Stainless Steel
48	Hex Nut, 3/4-10	Stainless Steel
49	O-ring	Rubber
65	Thrust Washer	Stainless Steel
67	Hex Head Bolt, 3/4-10 x 3"	Stainless Steel
69	Wedge Cover	Polymer
82	Debris Seal	Rubber

STANDARD 14"- 24" 2500 NRS PARTS LIST

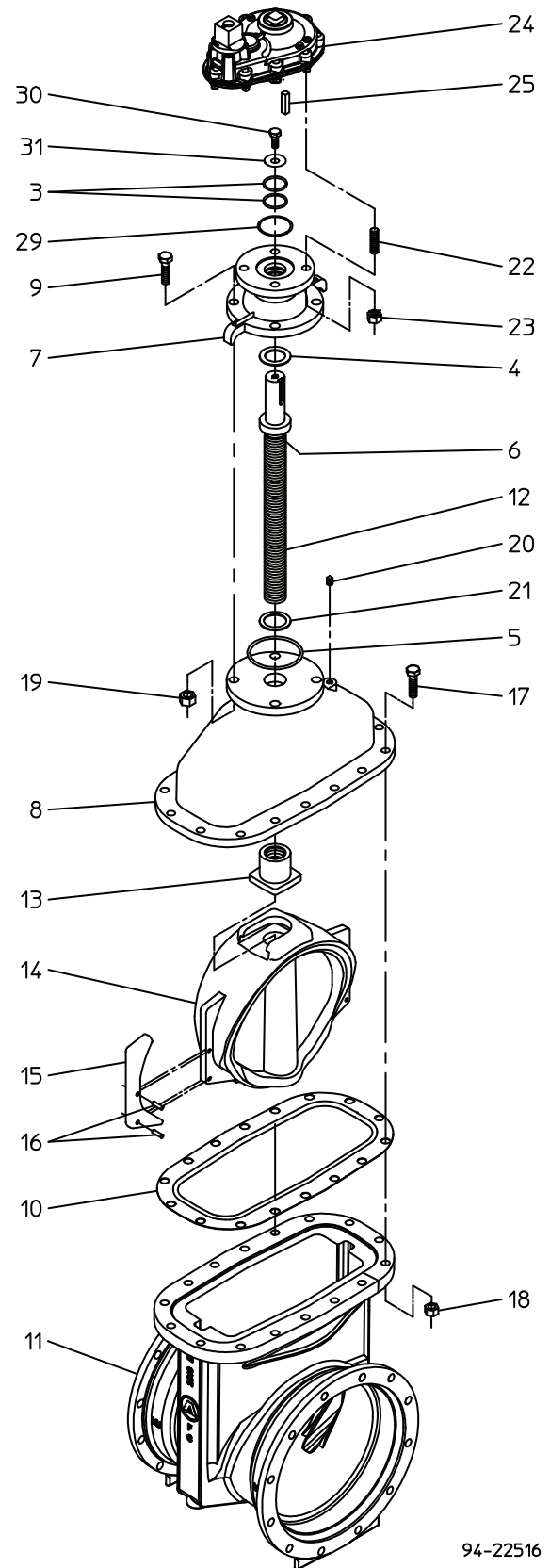
Ref	Description	Material
1	Hex head bolt	Stainless steel
2	Wrench nut	Ductile iron
3	O-ring	Rubber
4	Upper thrust washer	Delrin
5	Stuffing box gasket	Rubber O-ring
6	O-ring	Rubber
7	Stuffing box	Ductile iron
8	Bonnet	Ductile iron
9	Hex head bolt	Stainless steel
10	Throat flange gasket	Rubber
11	Valve body	Ductile iron
12	Stem	Bronze (Stainless steel optional)
13	Wedge nut	Bronze
14	Resilient wedge	Ductile iron with EPDM rubber
15	Wedge cover	Polymer
16	Wedge cover pin	Polymer
17	Hex head bolt	Stainless steel
18	Hex nut	Stainless steel
19	Hex nut	Stainless steel
20	Pipe plug	Stainless steel
21	Lower thrust washer	Delrin



Construction shown is with mechanical joint end connection and is illustrative only.

STANDARD 14"- 18" NRS PARTS LIST WITH GEARING

Ref	Description	Material
3	O-ring	Rubber
4	Upper thrust washer	Delrin
5	Stuffing box gasket	Rubber
6	O-ring	Rubber
7	Stuffing box	Ductile iron
8	Bonnet	Ductile iron
9	Hex HD Bolt	Stainless steel
10	Throat flange gasket	Rubber
11	Valve body	Ductile iron
12	Stem	Bronze (Stainless steel optional)
13	Wedge nut	Bronze
14	Resilient wedge	Ductile iron with EPDM rubber
15	Wedge cover	Polymer
16	Wedge cover pin	Polymer
17	Hex head bolt	Stainless steel
18	Hex nut	Stainless steel
19	Hex nut	Stainless steel
20	Pipe plug	Stainless steel
21	Lower thrust washer	Delrin
22	Stud	Stainless steel
23	Hex nut	Stainless steel
24	Gear actuator assembly	Rotork/AFC Gearing (2:1)
25	Key	Hardened steel
29	Actuator gasket	Rubber O-ring
30	Hex head bolt	Plated steel
31	Washer	Plated steel

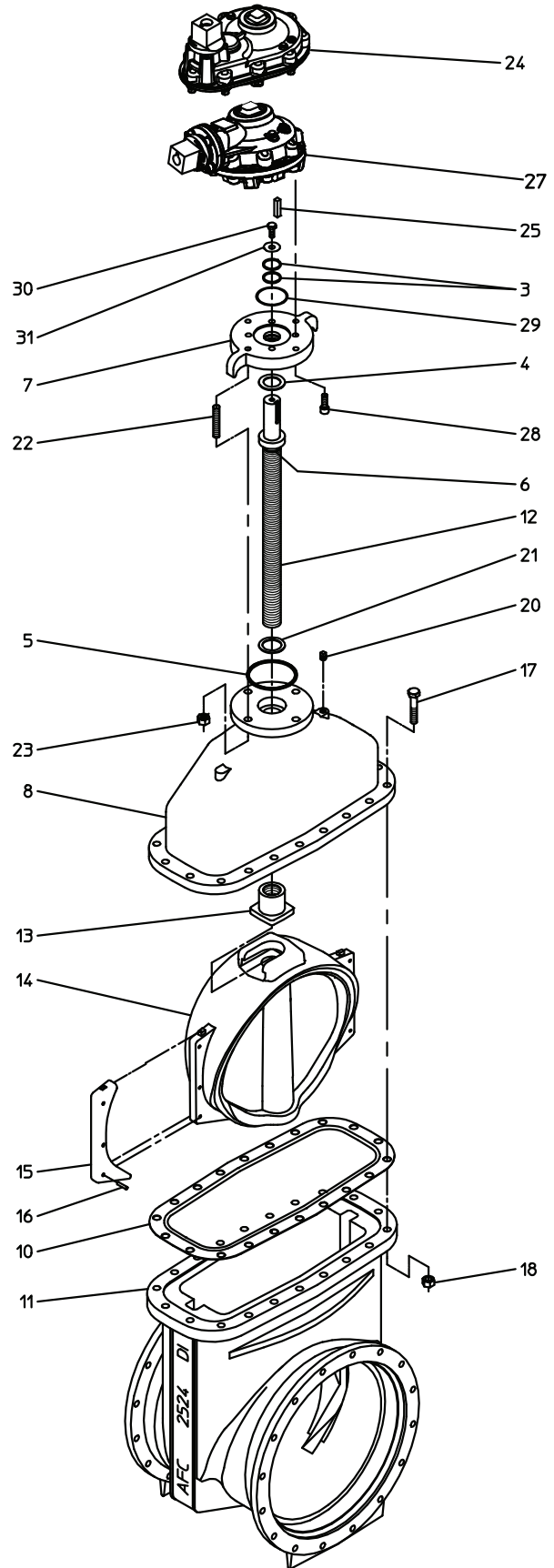


Construction shown is with mechanical joint end connection and is illustrative only.

Valve shown with spur gear actuator for illustrative purposes.

STANDARD 20" - 36" NRS PARTS LIST WITH BEVEL/SPUR GEARING

Ref	Description	Material
3	O-ring	Rubber
4	Upper thrust washer	Delrin
5	Stuffing box gasket	Rubber
6	O-ring	Rubber
7	Stuffing box	Ductile iron
8	Bonnet	Ductile iron
10	Throat flange gasket	Rubber
11	Valve body	Ductile iron
12	Stem	Bronze (Stainless steel optional)
13	Wedge nut	Bronze
14	Resilient wedge	Ductile iron with EPDM rubber
15	Wedge cover	Polymer
16	Wedge cover pin	Polymer
17	Hex head bolt	Stainless steel
18	Hex nut	Stainless steel
20	Pipe plug	Series stainless steel
21	Lower thrust washer	Delrin
22	Stud	Stainless steel
23	Hex nut	Stainless steel
24	Spur gear actuator	See table below
25	Key	Hardened steel
27	Bevel gear actuator	See table below
28	Socket head capscrew	Stainless steel
29	Actuator gasket	Rubber
30	Hex head bolt	Plated steel
31	Washer	Plated steel

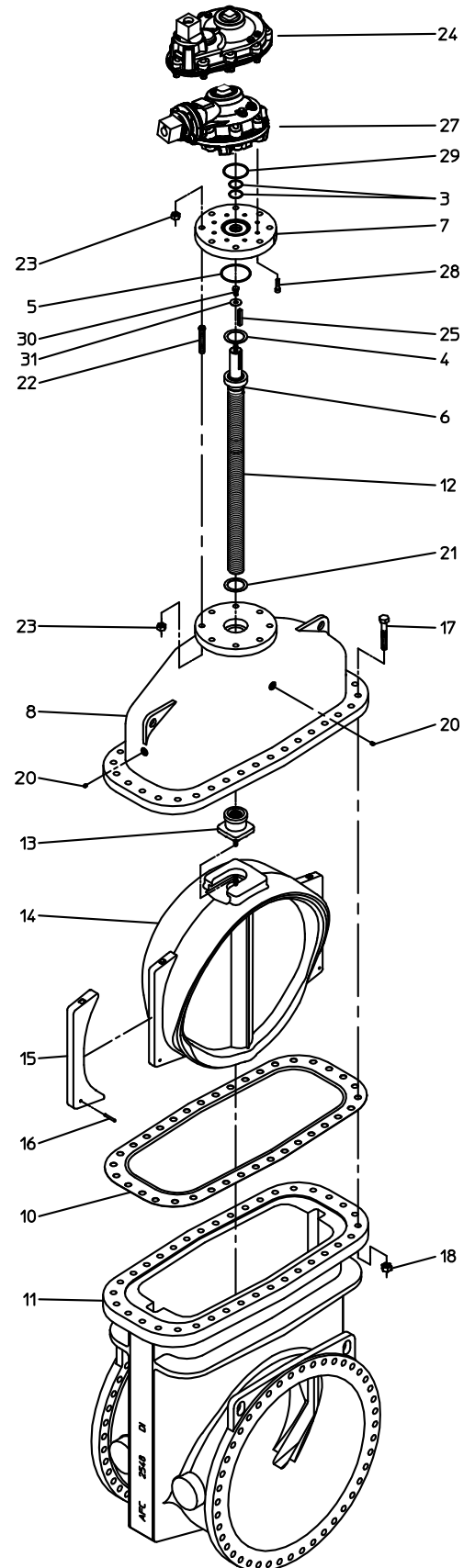


Size	Ref	Actuator	Size	Ref	Actuator
20	24	Rotork/AFC Gearing (3:1)	20	27	Rotork/AFC Gearing (3:1)
24	24	Rotork/AFC Gearing (3:1)	24	27	Rotork/AFC Gearing (3:1)
30	24	Rotork/AFC Gearing (4:1)	30	27	Rotork/AFC Gearing (4:1)
36	24	Rotork/AFC Gearing (4:1)	36	27	Rotork/AFC Gearing (4:1)

Construction shown is with mechanical joint end connection and is illustrative only.
Illustration shown with bevel and spur gear actuator.

STANDARD 42"- 48" NRS PARTS LIST WITH BEVEL/SPUR GEARING

Ref	Description	Material
3	O-ring	Rubber
4	Upper thrust washer	Delrin
5	Stuffing box gasket	Rubber
6	O-ring	Rubber
7	Stuffing box	Ductile iron
8	Bonnet	Ductile iron
10	Throat flange gasket	Rubber
11	Valve body	Ductile iron
12	Stem	Bronze (Stainless steel optional)
13	Wedge nut	Bronze
14	Resilient wedge	Ductile iron with EPDM rubber
15	Wedge cover	Polymer
16	Wedge cover pin	Polymer
17	Hex head bolt	Stainless steel
18	Hex nut	Stainless steel
20	Pipe plug	Series stainless steel
21	Lower thrust washer	Delrin
22	Stud	Stainless steel
23	Hex nut	Stainless steel
24	Spur gear actuator	Rotork/AFC Gearing (8:1)
25	Key	Hardened steel
27	Bevel gear actuator	Rotork/AFC Gearing (8:1)
28	Socket head capscrew	Stainless steel
29	Actuator gasket	Rubber
30	Hex head bolt	Plated steel
31	Washer	Steel
32	Handwheel	Steel



Construction shown is with flanged joint end connection and is illustrative only.

Illustration shown with bevel and spur gear actuator.

FEATURES

AMERICAN Flow Control offers ductile iron tapping sleeves in sizes 4" x 4" through 24" x 24". AMERICAN tapping sleeves are designed to provide an efficient means of connecting branch piping to existing lines without interrupting water service in those lines.

The Series 2800 is available in sizes 4" x 4" through 24" x 24" with mechanical joint ends for use on cast iron or ductile iron pipe and 4" x 4" through 12" x 12" with mechanical joint ends for use on A-C pipe.

The Series 2800 sleeves feature full-length, heavy-duty ductile iron construction for durability and strength. Their compact construction makes them lighter and easier to handle. They are made of ductile iron, which has twice the strength of most gray cast-iron sleeves with a rated working pressure of 250 psig.

SAMPLE SPECIFICATION

Tapping sleeves shall be of ductile iron construction meeting ASTM A536. Side flange seals shall be O-ring type of either round, oval or rectangular cross-sectional shape.

All sleeves to include the end joint accessories and split glands necessary to assemble sleeve to pipe. No

special tools are required other than a standard socket wrench.

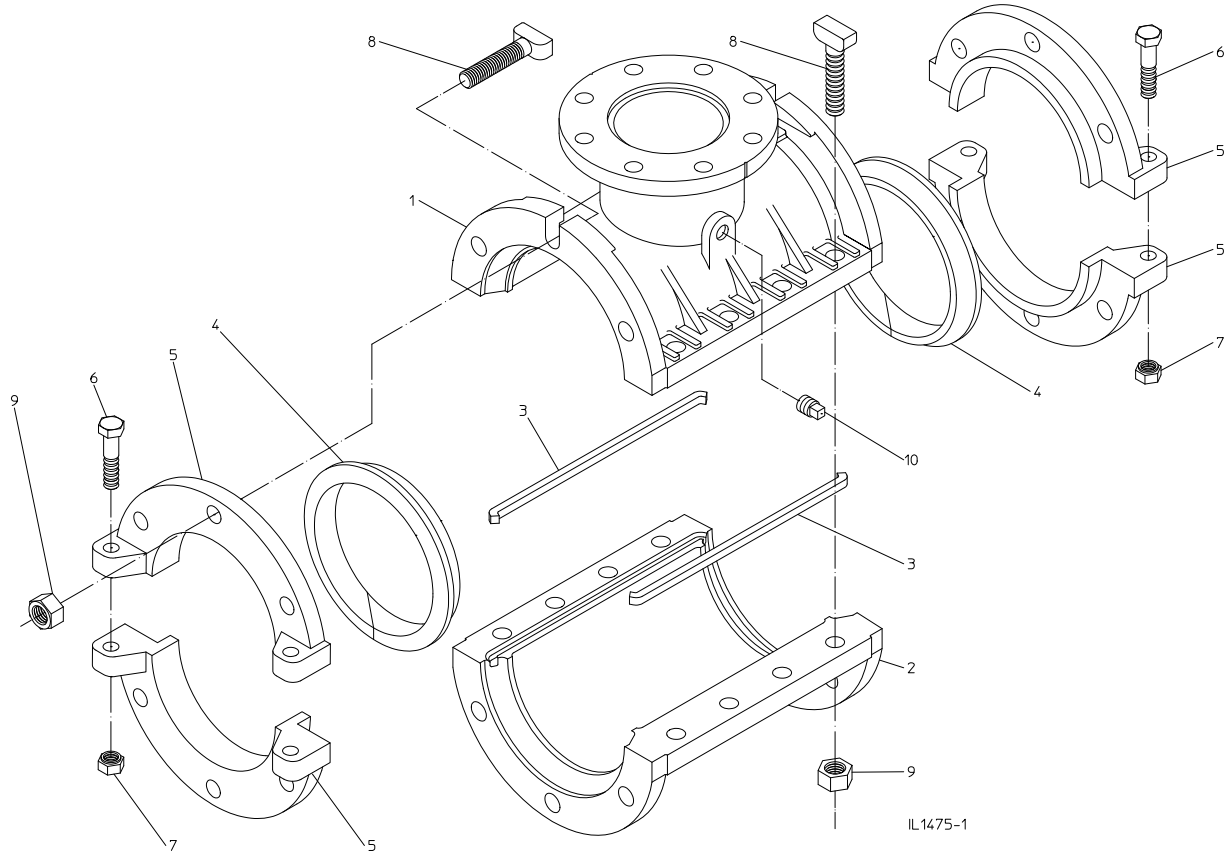
Flange end pilot dimensions to be in compliance with MSS-SP-60.

It is recommended that the tapping sleeve and tapping valve be manufactured by the same manufacturer to help achieve proper fit of the alignment ring on the tapping valve with the recess on the tapping sleeve.

WARNING: Use only water to test the tapping valve and sleeve assembly. Under no circumstance should air ever be used to conduct this test. Testing with air could result in serious injury or death.



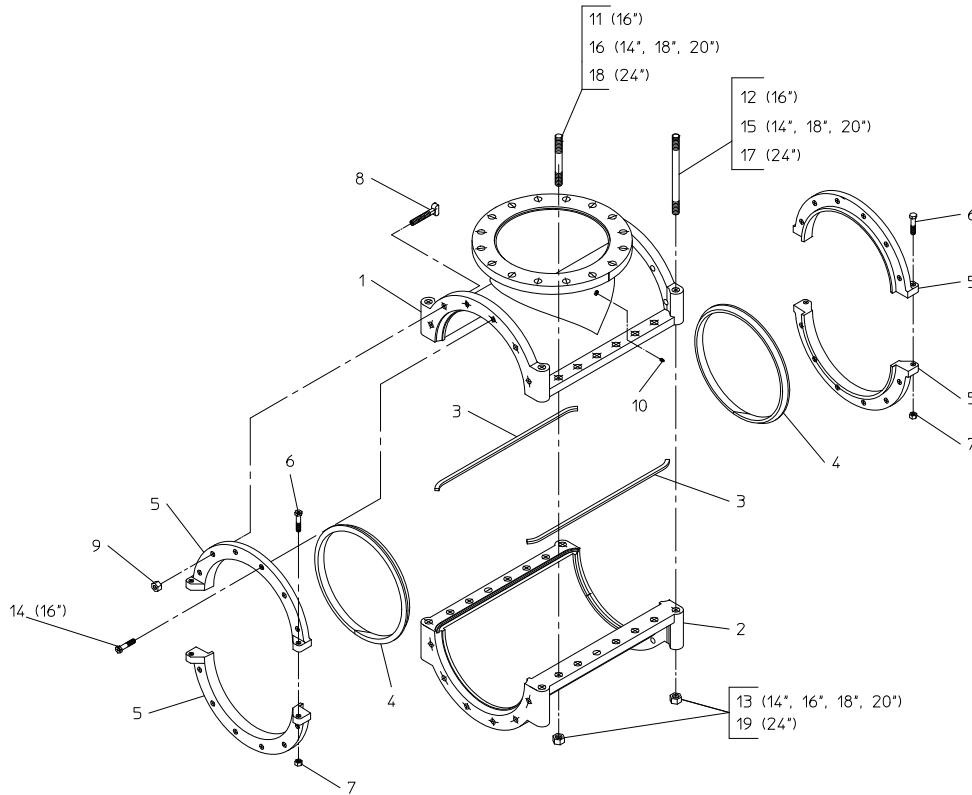
4"- 12" & 16"* 2800 PARTS LIST



Ref No.	Description	Material	Quantity					
			4"	6"	8"	10"	12"	16"*
1	Tapping Sleeve Front	Cast Ductile Iron	1	1	1	1	1	1
2	Tapping Sleeve Back	Cast Ductile Iron	1	1	1	1	1	1
3	Side Gasket	Rubber	2	2	2	2	2	2
4	MJ End Gasket	Rubber	2	2	2	2	2	2
5	MJ Split Gland Half	Cast Ductile Iron	4	4	4	4	4	4
6	Hex Head Bolt 1/2-13	Plated Steel	-	-	4	-	4	-
6	Hex Head Bolt 5/8-11	Plated Steel	4	4	-	4	-	4
7	Hex Nut 1/2-13	Plated Steel	-	-	4	-	4	-
7	Hex Nut 5/8-11	Plated Steel	4	4	-	4	-	4
8	T-Head Bolt 3/4-10	Cor-Ten Steel	14	20	20	26	26	38
9	T-Head Nut 3/4-10	Cor-Ten Steel	14	20	20	26	26	38
10	SQ Head Pipe Plug 1/2 NPT	Bronze	1	1	1	1	1	1

* Sizes 16" x 4" through 16" x 12"

14", 16"* & 18"- 24" 2800 PARTS LIST



Ref No.	Description	Material	Quantity				
			14"	16x16	18"	20"	24"
1	Tapping Sleeve Front	Cast Ductile Iron	1	1	1	1	1
2	Tapping Sleeve Back	Cast Ductile Iron	1	1	1	1	1
3	Side Gasket	Rubber	2	2	2	2	2
4	MJ End Gasket	Rubber	2	2	2	2	2
5	MJ Split Gland Half	Cast Ductile Iron	4	4	4	4	4
6	Hex Head Bolt 3/4-10 x 4-1/2	Plated Steel	4	-	4	4	4
6	Hex Head Bolt 5/8-11 x 3	Plated Steel	-	4	-	-	-
7	Hex Nut 3/4-10	Plated Steel	4	-	4	4	4
7	Hex Nut 5/8-11	Plated Steel	-	4	-	-	-
8	T-Head Bolt 3/4-10	Cor-Ten Steel	20	20	24	28	32
9	T-Head Nut 3/4-10	Cor-Ten Steel	20	20	24	28	32
10	SQ Head Pipe Plug	Stainless Steel	1	1	1	1	1
11	Hex Head Bolt 1-8 x 4	Plated Steel	-	12	-	-	-
12	Hex Head Bolt 1-8 x 13	Plated Steel	-	4	-	-	-
13	Hex Nut 1-8	Plated Steel	See Note 1	16	See Note 1	See Note 1	-
14	Hex Head Bolt 3/4-10 x 3-1/4	Cor-Ten Steel	-	4	-	-	-
15	Stud 1-8 x 11	Plated Steel	4	-	4	4	-
16	Stud 1-8 x 5-1/2	Plated Steel	See Note 1	-	See Note 1	See Note 1	-
17	Stud 1-1/4 - 8 x 11	Plated Steel	-	-	-	-	4
18	Stud 1-1/4 - 8 x 6	Plated Steel	-	-	-	-	See Note 1
19	Hex Nut 1-1/4-8	Plated Steel	-	-	-	-	See Note 1

* Size 16" x 16" only

Notes:

1. Quantity varies by size.



AMERICAN[®]

FLOW CONTROL

THE RIGHT WAY

AMERICAN Flow Control

P.O. Box 2727
Birmingham, AL 35202-2727
Phone: 800-326-8051
Fax: 800-610-3569
Email: afcsales@american-usa.com

Waterous Company

125 Hardman Avenue South
South St. Paul, MN 55075-2421
Phone: 888-266-3686
Fax: 800-601-2809
Email: afcsales@american-usa.com

WWW.AMERICAN-USA.COM

Distributed By:



Series 2500 Tapping Valve
Product Information



Series 2800 Tapping Sleeve
Product Information

Product literature may become outdated. AMERICAN is not responsible for out-of-date information, errors or omissions.
Please contact AMERICAN for the most current product information.