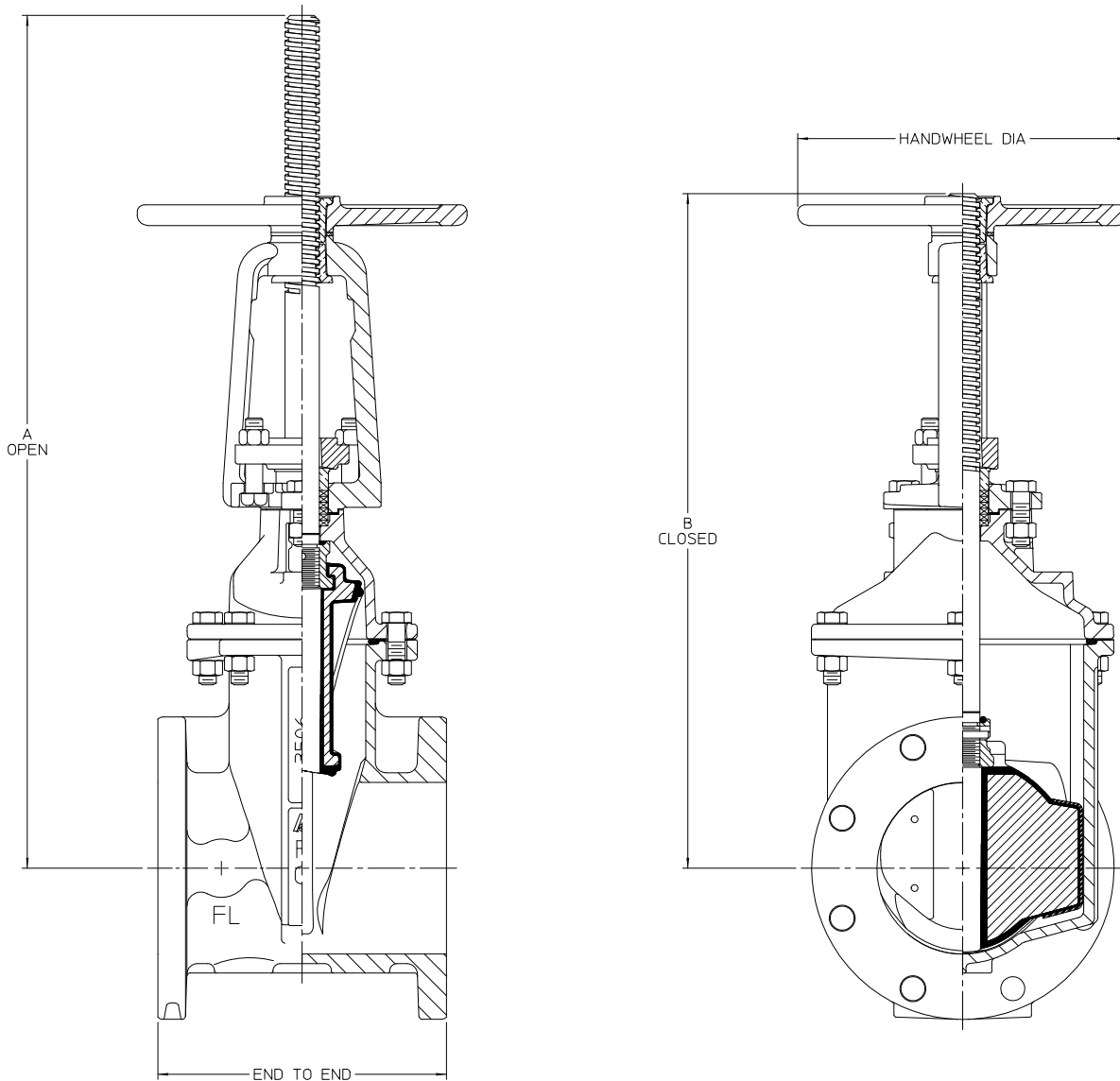


AMERICAN Flow Control Submittal Information

4" - 12" SERIES 3500 RESILIENT WEDGE GATE VALVE, OS&Y



IL4518

| DIMENSION | VALVE SIZE | | | | |
|----------------------------|------------|-------|-------|-------|-------|
| | 4" | 6" | 8" | 10" | 12" |
| A (Valve Open) $\pm 1/4$ | 23.47 | 30.97 | 38.16 | 48.41 | 53.28 |
| B (Valve Closed) $\pm 1/4$ | 19.12 | 24.59 | 29.91 | 38.16 | 41.41 |
| Handwheel Diameter | 10.00 | 12.00 | 14.00 | 16.00 | 16.00 |
| End to End | 9.00 | 10.50 | 11.50 | 13.00 | 14.00 |
| No. of Turns to Open | 14 | 20 | 25 | 31 | 38 |



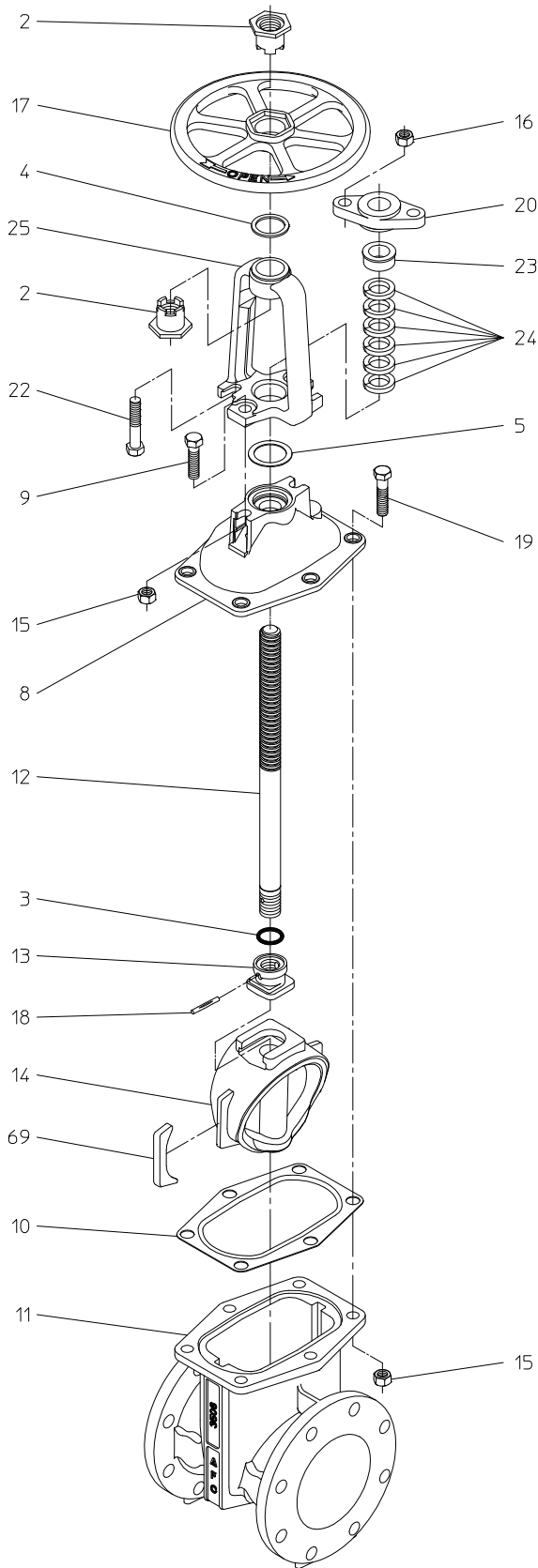
AMERICAN
FLOW CONTROL

THE RIGHT WAY

AMERICAN Flow Control
P.O. Box 2727
Birmingham, Al. 35202-2727
Phone: 1-800-326-8051
Fax: 1-800-610-3569
E-mail: afcsales@american-usa.com

Waterous Company
125 Hardman Avenue South
South St. Paul, Mn. 55075-1191
Phone: 1-888-266-3686
Fax: 1-800-601-2809
E-mail: afcsales@american-usa.com

WWW.AMERICAN-USA.COM



IL4519

Construction shown is typical of the 6-inch size with flanged end connections and is illustrative only. Construction of other sizes and end connection types vary slightly.

| REF NO. | DESCRIPTION | MATERIAL |
|---------|--------------------------------|---|
| 2 | Stem Nut | Forging Brass, ASTM B124, UNS C37700 |
| 3 | O-Ring | Rubber |
| 4 | Handwheel Washer | Brass, ASTM B36, UNS C26000 |
| 5 | Stuffing Box Gasket | Rubber |
| 8 | Bonnet | Ductile Iron, ASTM A536 |
| 9 | Hex Head Bolt, 5/8-11 x 2" | 304 Stainless Steel |
| 10 | Bonnet Gasket | Rubber |
| 11 | Body | Ductile Iron, ASTM A536 |
| 12 | Stem | Free Cutting Brass, ASTM B16, UNS C36000 |
| 13 | Wedge Nut | Ductile Iron, ASTM A536 |
| 14 | Resilient Wedge | EPDM Rubber Encapsulated Ductile Iron ASTM A536 |
| 15 | Hex Nut, 5/8-11 | 304 Stainless Steel |
| 16 | Hex Nut, 5/8-11 | Brass, ASTM F467, UNS C27000 |
| 17 | Handwheel | Ductile Iron, ASTM A536 |
| 18 | Groove Pin | 303 Stainless Steel |
| 19 | Hex Head Bolt, 5/8-11 x 2-1/4" | 304 Stainless Steel |
| 20 | Gland Follower | Ductile Iron, ASTM A536 |
| 22 | Hex Head Bolt, 5/8-11 x 2-3/4" | 304 Stainless Steel |
| 23 | Gland | Sintered Bronze, Oil Impregnated, ASTM B438, Group 1, Type II |
| 24 | Packing Ring | PTFE Impregnated Braided Graphite |
| 25 | Yoke | Ductile Iron, ASTM A536 |
| 69 | Wedge Cover | Acetal Polymer |

OPTIONAL MATERIALS ARE AS FOLLOWS

BOLTS and NUTS: 316 Stainless Steel

STEM: Cast NDZ-S Bronze, ASTM B763, UNS C99500

STEM: Stainless Steel

Open Direction: Left (C.C.W.) Right (C.W.)

NOTES:

1. Available in configurations that are UL Listed and FM Approved with 350 psig rated working pressure.
2. Meets requirements of ANSI/AWWA C515 with 350 psig rated working pressure.
3. Fusion-bonded epoxy-coated in accordance with ANSI/AWWA C550.
4. Certified to NSF/ANSI 61 & 372.



AMERICAN
FLOW CONTROL

THE RIGHT WAY

AMERICAN Flow Control
P.O. Box 2727
Birmingham, Al. 35202-2727
Phone: 1-800-326-8051
Fax: 1-800-610-3569
E-mail: afcsales@american-usa.com

Waterous Company
125 Hardman Avenue South
South St. Paul, Mn. 55075-1191
Phone: 1-888-266-3686
Fax: 1-800-601-2809
E-mail: afcsales@american-usa.com

WWW.AMERICAN-USA.COM