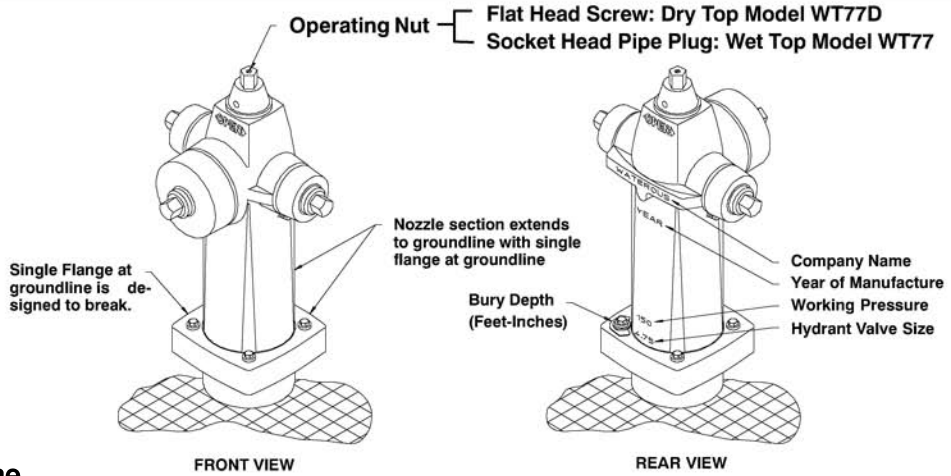


# WT77 & WT77D Trend "Old" Style

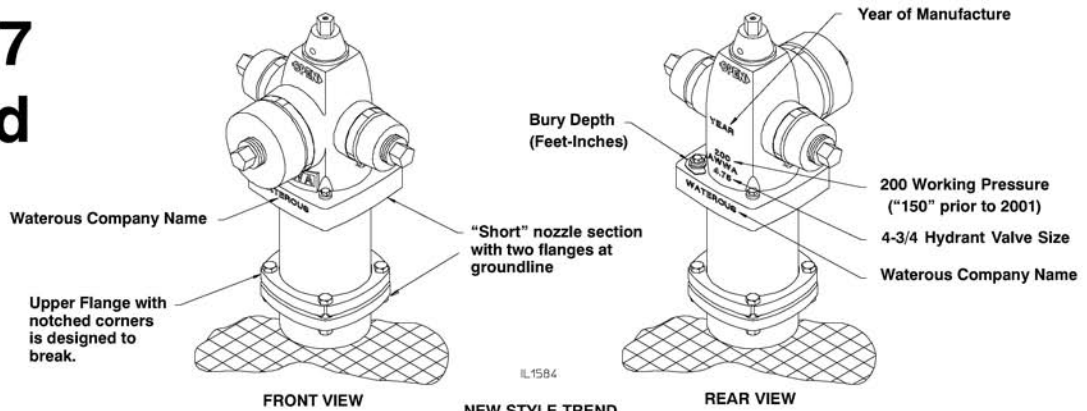
This model is not affected nor part of the remediation program.



OLD STYLE TREND  
Dry Top Model WT77D: Built from 1977 to 1996  
Wet Top Model WT77: Built from 1977 to 1987

# WB77 Trend

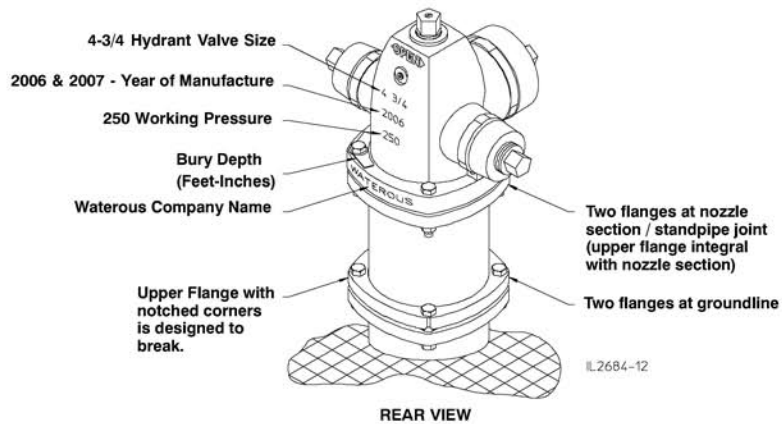
This model with year markings of 1999 through 2004 is part of the remediation program.



NEW STYLE TREND  
Model WB77: Built from 1987 to 2006  
4-3/4" TREND HYDRANT  
Available in Traffic Configuration Only

# WB77-1 Ductile-Iron Trend

This model is not affected nor part of the remediation program.



4-3/4" DUCTILE-IRON TREND HYDRANT - MODEL WB77-1  
(250 PSIG Rated Working Pressure)  
Built from 2006 to Present  
Available in Traffic Configuration Only