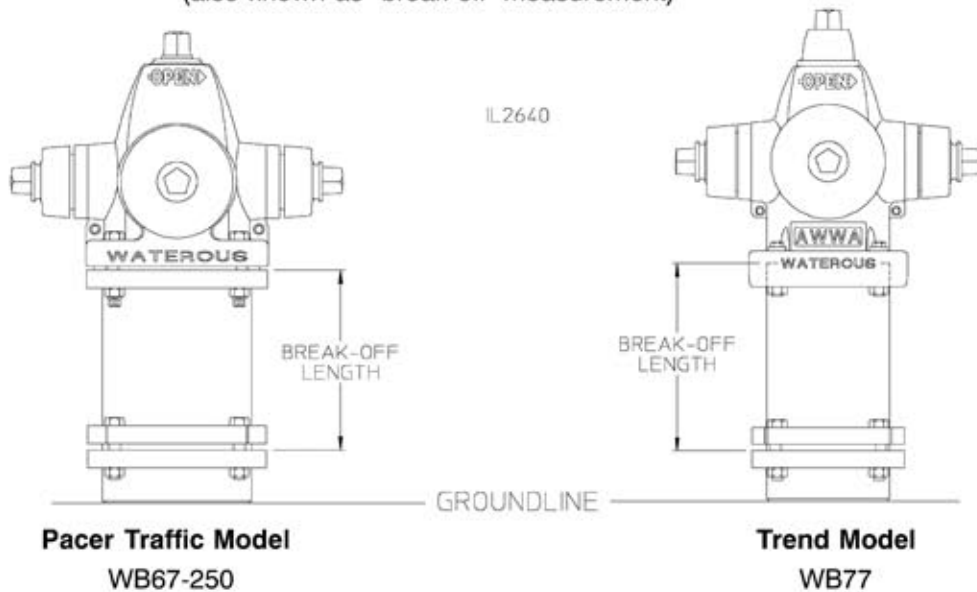


**Upper Standpipe Measurement Locations**  
(also known as "break-off" measurement)



Break-off Lengths
10 inches
16 inches
22 inches
28 inches
34 inches

Break-off Lengths
10 inches
16 inches

Traffic style fire hydrants are designed so that the upper standpipe and upper operating rod break-off from the lower standpipe and rod when struck by a vehicle, so the upper standpipe is called a "break-off standpipe". Traffic style Pacer and Trend model fire hydrants are supplied with various upper standpipe lengths. Replacement rods must be ordered according to the length of the break-off standpipe.

See the drawing for instructions for determining the particular break-off length of the hydrants that are to have the upper rods replaced.

Note that the Trend model uses only two different break-off lengths, while the Pacer models use five different lengths.